

Technical Bulletin

Bulletin Number: 464 Revision Number: R-01

Release Date: January 8, 1993 Revision Date: July 27, 1998

SUBJECT: DR. PEPPER CHANGE CUP FILLER PLATE

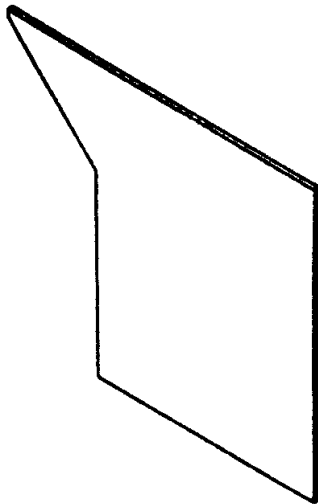
MODELS AFFECTED: Dr. Pepper D3 Venders

SERIAL BREAK: Dr. Pepper D3 Wide Venders Serialized 0001-3007CL to 0001-6350DU
Dr. Pepper D3 Narrow Venders Serialized 0001-3007CL to 0001-6446DV.

REASON: To provide a filler plate that eliminates the possibility of coins bouncing out the back of the coin cup.

ORDER:

- 1 - 453,010,18x.x3 Plate, Dr. Pepper Coin Cup Filler
- 1 - 900,901,89x.x1 Tinnerman Clip



453,010,18X.X3
Change Cup Filler Plate



900,901,89x.x1
Tinnerman Clip

Installation Instructions:

1. Open access door and locate change cup.
2. Place the change cup filler plate in position on the back of the change cup. See figure 2 below.

Important: The filler plate is mounted on the back side of the change cup, away from the coin holding area.

3. Secure the change cup filler plate to the change cup with a tinnerman clip. See figure 2 below.

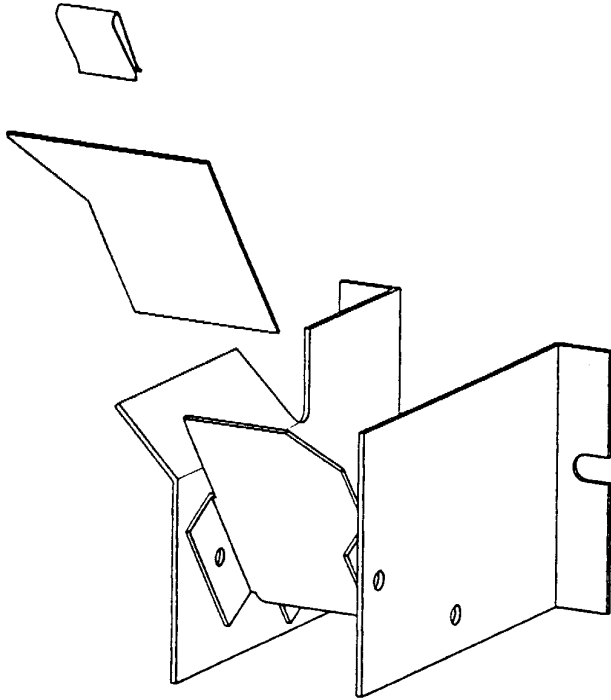


Figure 1

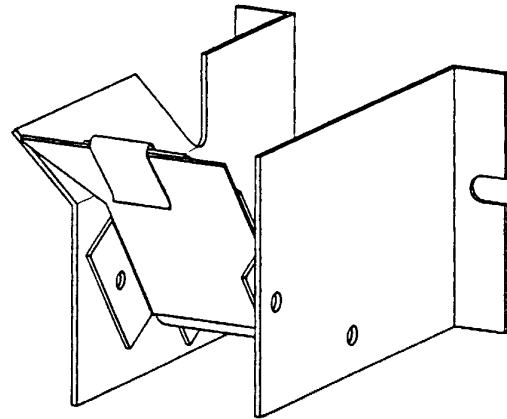


Figure 2